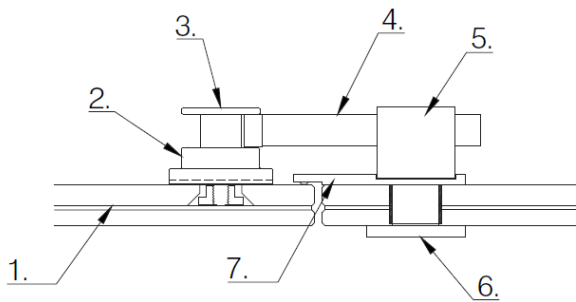


air lock detail

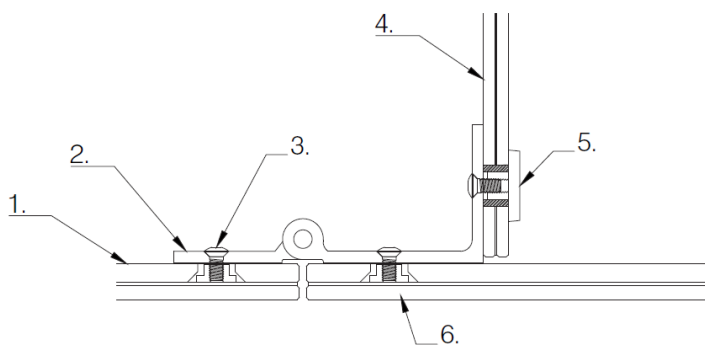
1. 8 & 6mm T & L, low iron glass
2. Lock receiver (base)
3. Lock receiver (adjustable)
4. Lock finger
5. Lock housing
6. Indicator face plate
7. Door stop plate C/W buffer



Door Lock

air hinge detail

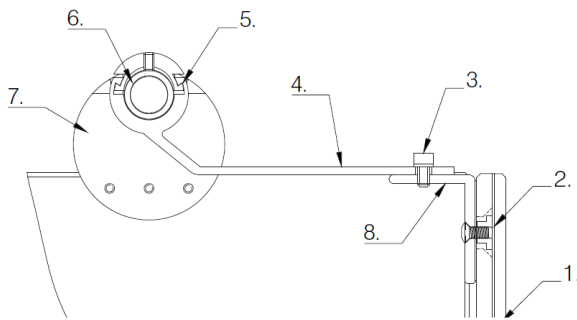
1. Pilaster- variable glass
2. Hinge
3. Screw
4. Divider
5. Rosette
6. Concealed rosette



Door Hinge

air head rail section detail

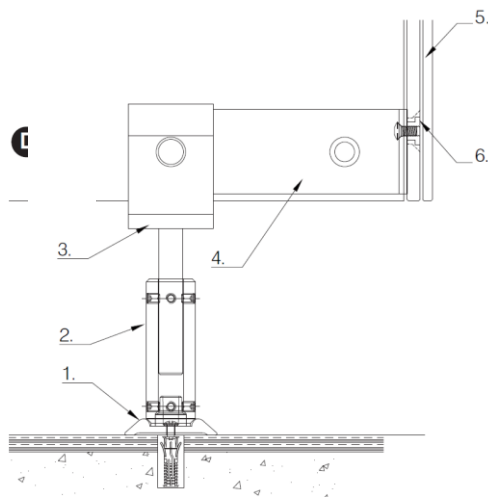
- | | |
|-----------------------------|-------------------------|
| 1. Pilaster- variable glass | 5. Shock bracket |
| 2. Concealed rosette | 6. 'Puck' glass bracket |
| 3. Socker head screw | 7. Stablizing bar |
| 4. Door stop arm | 8. Rear panel bracket |



Head Rail

air foot section detail

- | | |
|---------------------|-----------------------------|
| 1. Ground rosette | 4. Angle bracket |
| 2. Aluminium leg | 5. Pilaster- variable glass |
| 3. Clamping bracket | 6. Concealed rosette |



Foot