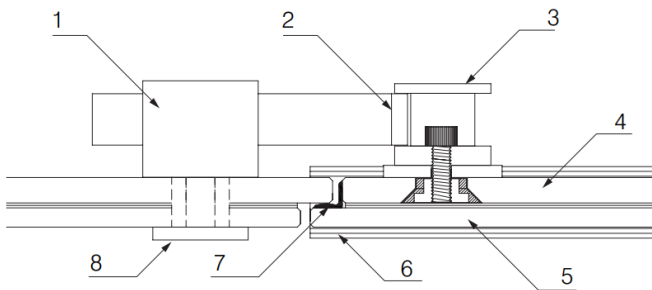


cloud lock detail

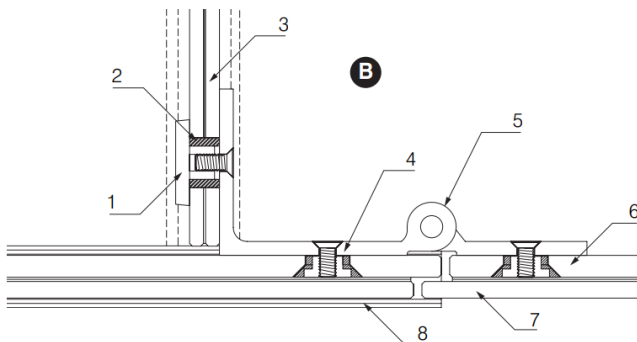
- | | |
|-----------------------------|-----------------------------|
| 1. Lock body | 5. 6mm T&L, low iron glass |
| 2. Lock finger | 6. Adjustable floor channel |
| 3. Adjustable lock receiver | 7. Protective door gasket |
| 4. 8mm T&L, low iron glass | 8. Indicator face plate |



Door lock

cloud hinge detail

- | | |
|----------------------------------|-----------------------------|
| 1. Decorative rosette | 5. Hinge |
| 2. Adjustable nylon ferrel | 6. 8mm T&L, low iron glass |
| 3. 6mm x 6mm T&L, low iron glass | 7. 6mm T&L, low iron glass |
| 4. Concealed rosette | 8. Adjustable floor channel |

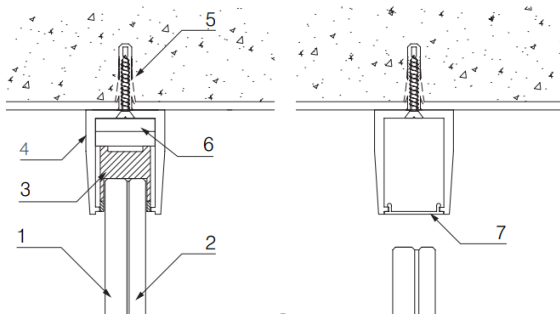


Door hinge

cloud technical

cloud ceiling detail

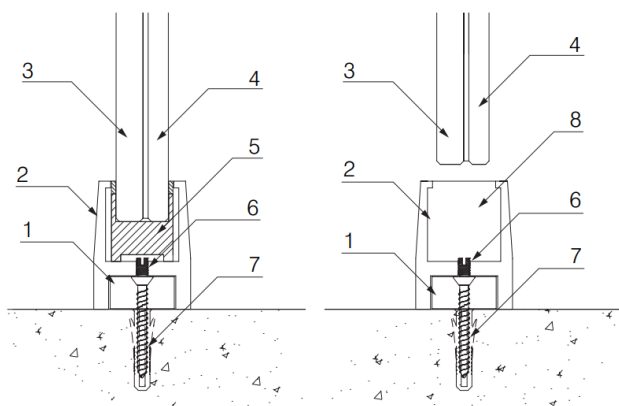
1. 8mm T&L, low iron glass
2. 6mm T&L, low iron glass
3. PVC gasket
4. Ceiling channel
5. Anchor screw/plug (into ceiling)
6. Foam protection tape
7. Clip in section (between door openings)



Ceiling

cloud floor detail

1. Base profile
2. Adjustable floor channel
3. 8mm T&L, low iron glass
4. 6mm T&L, low iron glass
5. Glass protection layer
6. Adjustable screw
7. Fix down screw/plug (info floor)
8. Channel endcap



Floor channel

London & South:

Prospec Ltd, 344 - 354 Grays Inn Road,
London WC1X 8BP
Tel: +44 (0) 2080 929390

Head Office & North:

Prospec Ltd, Canklow Meadows Estate,
West Bawtry Road Rotherham, S60 2XL,
Tel: +44 (0) 1709 377147

life
by prospec