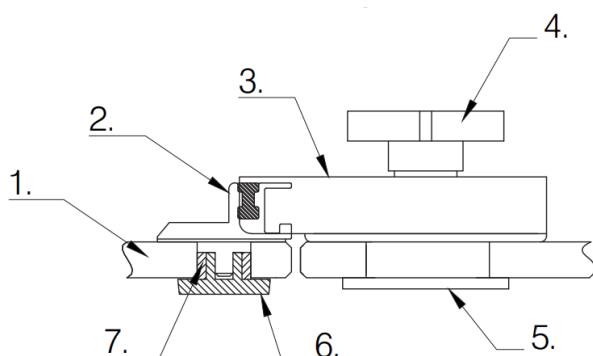


cabrillant technical

cabrillant lock detail

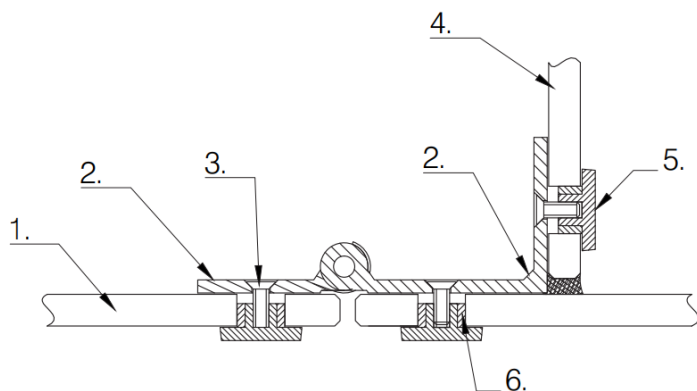
- 1. Pilaster- variable glass
- 2. Receiver
- 3. Latch lock (variable handling)
- 4. Lock knob
- 5. Indicator face plate
- 6. Adjustable eccentric nylon ferrule
- 7. Concealed rosette



Door Lock

cabrillant hinge detail

- 1. Pilaster- variable glass
- 2. Hinge
- 3. Screw
- 4. Divider
- 5. Rosette
- 6. Adjustable eccentric nylon ferrule

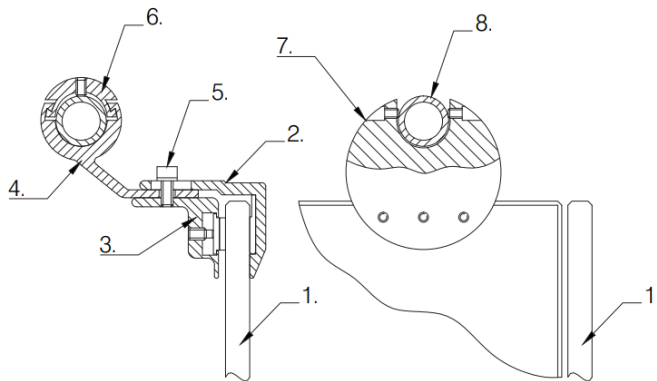


Hinge detail

cabrillant technical

cabrillant head rail section detail

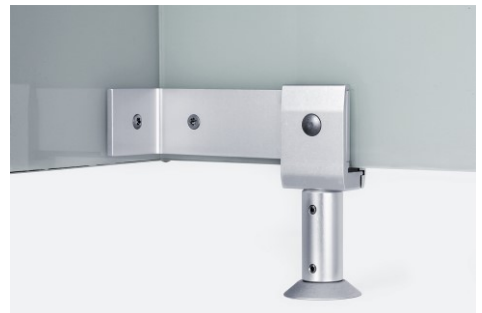
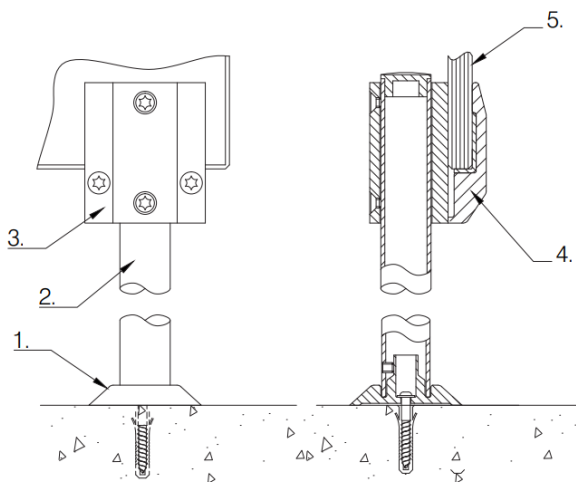
- | | |
|-----------------------------|------------------------------|
| 1. Pilaster- variable glass | 5. Socket head screw |
| 2. Door stop front clamp | 6. Stabilizing bar top clamp |
| 3. Door stop rear clamp | 7. 'Puck' glass bracket |
| 4. Shock bracket | 8. Stabilizing bar |



Head rail

cabrillant foot section detail

- | | |
|-------------------------------|-----------------------------|
| 1. Ground rosette | 4. Angle bracket |
| 2. Aluminium leg | 5. Pilaster- variable glass |
| 3. Clamping bracket (divider) | |



Foot

London & South:

Prospec Ltd, 344 - 354 Grays Inn Road,
London WC1X 8BP
Tel: +44 (0) 2080 929390

Head Office & North:

Prospec Ltd, Canklow Meadows Estate,
West Bawtry Road Rotherham, S60 2XL,
Tel: +44 (0) 1709 377147