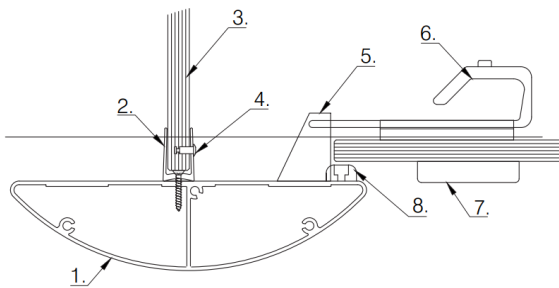


# system d technical

## system d lock detail

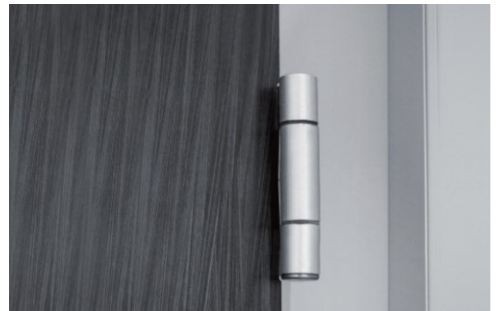
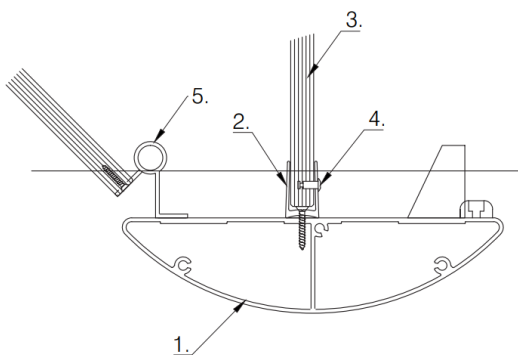
- |                           |                    |
|---------------------------|--------------------|
| 1. Aluminium profile      | 5. Receiver        |
| 2. Aluminium 'U' channel  | 6. Sliding latch   |
| 3. Compact grade laminate | 7. Indicator plate |
| 4. Rivet                  | 8. Door buffer     |



Door lock

## system d hinge detail

- |                           |                  |
|---------------------------|------------------|
| 1. Aluminium profile      | 4. Rivet         |
| 2. Aluminium 'U' channel  | 5. Cranked hinge |
| 3. Compact grade laminate |                  |

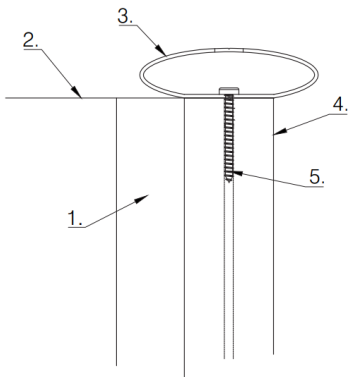


Door hinge

# system d technical

## system d head rail section detail

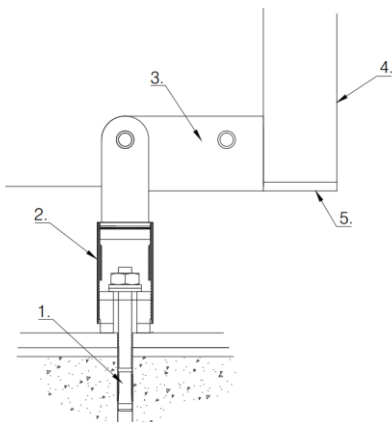
1. Aluminium 'U' channel
2. Divider panel
3. Headrail
4. Aluminium profile
5. Fixing screw



Head rail

## system d foot section detail

1. Floor bolt
2. Leg
3. Return leg angle bracket
4. Aluminium profile
5. End cap



Foot

### London & South:

Prospec Ltd, 344 - 354 Grays Inn Road,  
London WC1X 8BP  
Tel: +44 (0) 2080 929390

### Head Office & North:

Prospec Ltd, Canklow Meadows Estate,  
West Bawtry Road Rotherham, S60 2XL,  
Tel: +44 (0) 1709 377147