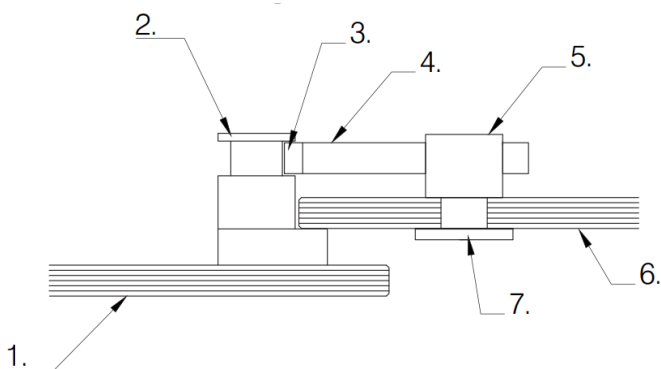


connect lock detail

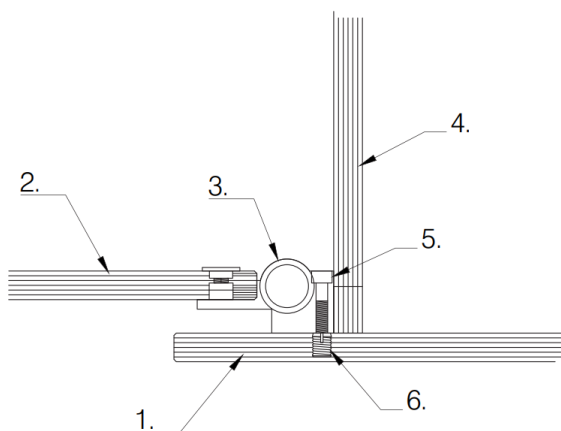
- | | |
|----------------------------------|--------------------------------|
| 1. Compact grade laminate fascia | 5. Aluminium lock body |
| 2. Aluminium receiver | 6. Compact grade laminate door |
| 3. Nylon tip | 7. Aluminium indicator plate |
| 4. Aluminium finger | |



Door lock

connect hinge detail

- | | |
|----------------------------------|----------------------------------|
| 1. Compact grade laminate fascia | 4. Compact grade laminate fascia |
| 2. Compact grade laminate door | 5. Cap head set crew |
| 3. Aluminium hinge | 6. Brass insert |

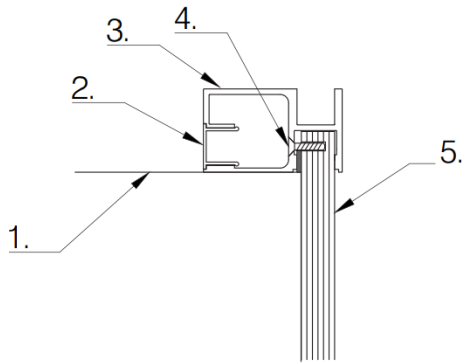


Door hinge

cloud technical

connect head rail section detail

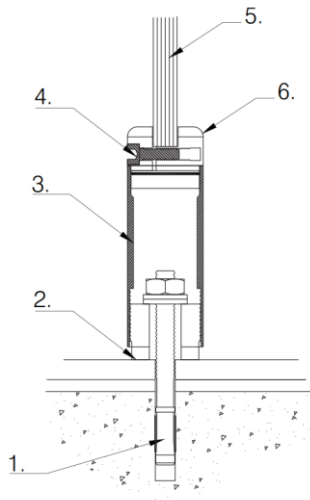
1. Divider panel
2. Aluminium clip-in profile
3. Connect aluminium head section
4. Screw
5. Compact grade laminate fascia



Head channel

connect foot section detail

1. Fixing bolt
2. Nylon rosette
3. Aluminium foot section
4. Cap head socket screw
5. Compact grade laminate divider
6. Aluminium foot clamp



Foot

London & South:

Prospec Ltd, 344 - 354 Grays Inn Road,
London WC1X 8BP
Tel: +44 (0) 2080 929390

Head Office & North:

Prospec Ltd, Canklow Meadows Estate,
West Bawtry Road Rotherham, S60 2XL,
Tel: +44 (0) 1709 377147